



EV9272-22

QC71 Twin Parallel Head

Filter head exclusively for Everpure replacement cartridges



QC71 Twin Parallel Head:
EV9272-22

BENEFITS

New redesigned commercial quality filter head for Everpure filter cartridges

Dual filter head is parallel plumbed

Built-in water shut off valve and flushing valve makes cartridge change outs easy

A cartridge nesting feature provides a more secure and durable fit

Includes mounting box bracket and screws for fast and easy installation. No extra mounting plate is required

Built-in water pressure gauge helps monitor proper flow

New modular design of box bracket allows for future retrofitting of add-on components without disassembly of system. Optional wing bracket kits available

All wetted parts have passed NSF extraction tests

Engineered for durability, strength and longevity. Will not corrode

INSTALLATION TIPS

Mounts directly onto flat surface

Install vertically so cartridge hangs down

Allow 2-1/2" clearance below the cartridge for easy cartridge replacement

Flush filter by running water through filter according to cartridge instructions

OPERATION TIPS

Change cartridges on a regular 6 month preventative maintenance program

Change cartridges when capacity is reached or when pressure decreases

Always flush the filter cartridge at time of installation and cartridge change

APPLICATION/SIZING

For foodservice applications

Capacity: varies according to filter cartridge used

QC71 Twin Parallel Head

SPECIFICATIONS

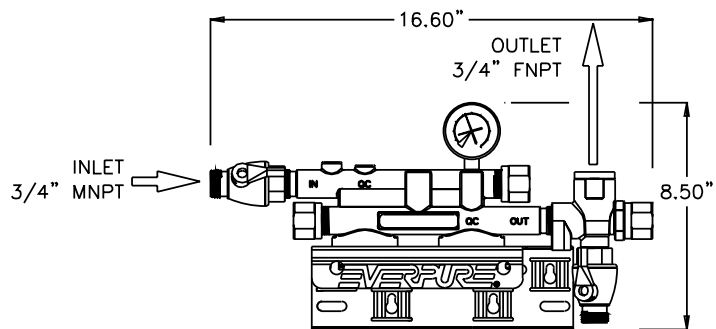
Overall Dimensions: 8.5"H x 16.6"W x 5.5"D

Inlet connection: 3/4"

Outlet connection: 3/4"

No electrical connection required

Shipping Weight: 2 lbs.



WARRANTY

Everpure water treatment systems (excluding replaceable elements) are covered by a limited warranty against defects in material and workmanship for a period of five years after date of purchase. Everpure replaceable elements (filter cartridges and water treatment cartridges) are covered by a limited warranty against defects in material and workmanship for a period of one year after date of purchase. See printed warranty for details. Everpure will provide a copy of the warranty upon request.

EVERPURE®

Worldwide Headquarters:

EVERPURE, LLC
1040 Muirfield Drive
Hanover Park, Illinois 60133
Toll Free (800) 323-7873
Tel (630) 307-3000
Fax (630) 307-3030
<http://www.everpure.com>

In Europe:

Pentair Water Belgium B.V./B.A.
Industriepark Wolfstee
Toekomstlaan 30
B- 2200 Herentals
BELGIUM
TEL: +32.(0).14.283.500
FAX: +32.(0).14.283.505

In Japan:

Hashimoto MN Bldg. 7F
3-25-1 Hashimoto Sagamihara-Shi
Kanagawa 229-1103
JAPAN
TEL: 81.(0)42.775.3011
FAX: 81.(0)42.775.3015